



Datenblatt - Fiche technique - Data sheet

17.99.1102



VALUE Decken-Projektor-Halter, gross

VALUE Support projecteur plafond, grande taille

VALUE Ceiling Projector Mount, big

Date:	2010/6/30
Weight Capacity:	Max 25 lbs/11.5kgs
Monitor Mounting Holes	
Application using	ceiling mount

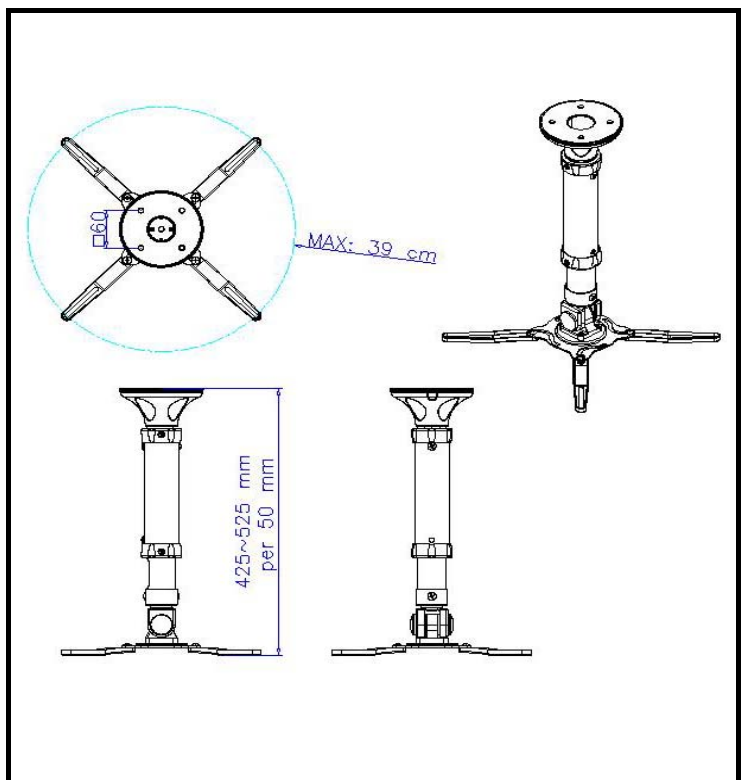
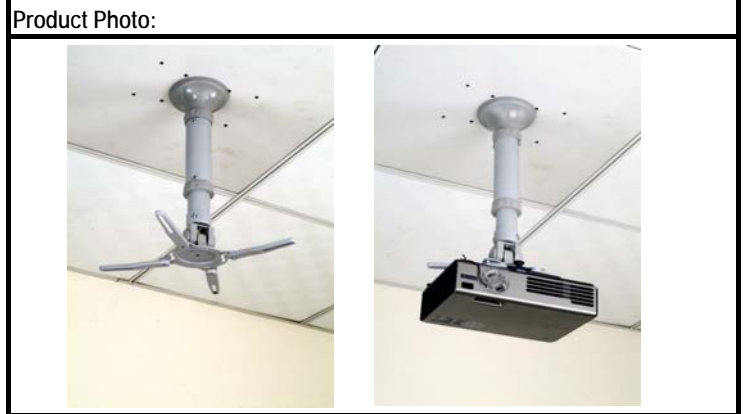
Packaging Type: (blister pack, chipboard box, cardboard box etc.)				
Level 1:	WHITE BOX			
Level 2:	CARTON			
Level 3:				
or Pack	Packs Per	per Master	Master	Cartons Per
1pc			6pcs	

Packaging Dimensions			
Metric In Centimeters/Cubic Meters/Kilograms			
	Height	Width	Length
Product Dimensions:			
Unit box Dimensions:	14.5	13.7	43.0
Inner Carton Dimensions:			
Master Carton Dimensions:	32.5	43.0	44.5
Master Carton Cubic Meters:	0.062		
Master Carton Weight Kgs:	14.600		

Packaging Dimensions In Inches/Cubic Feet/Pounds			
<i>(will automatically convert to inches if sizes are entered in metric section at left)</i>			
	Height	Width	Length
Product Dimensions:	0.0	0.0	0.0
Unit Box Dimensions:	5.7	5.4	16.9
Inner Carton Dimensions:	0.0	0.0	0.0
Master Carton Dimensions:	12.8	16.9	17.5
Master Carton Cubic Feet:	2.20		
Master Carton Weight lbs:	32.12		

Product Description	
*Universal spider mount style fits most projectors.	
*With tilt and swivel function.	
*Adjustable ceiling tube can be extended from 37.5cm to 47.5cm off the ceiling.	
*Max size:390mm in diameter.	
*Weight Capacity: 25 lbs/11.5kgs.	
*Cables can go through the tubes.	

Model No.	17.99.1102
Product Name:	Ceiling Projector Mount





#14x2" 1/4" x 2"

A. 4pcs/each



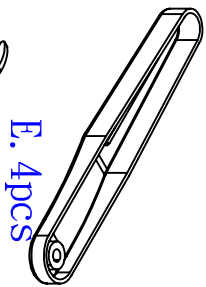
B. 4pcs



M4x12 M5x12 M6x12
C. 4pcs/each

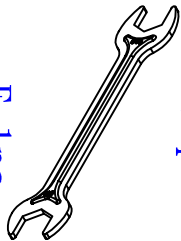


D. 4pcs

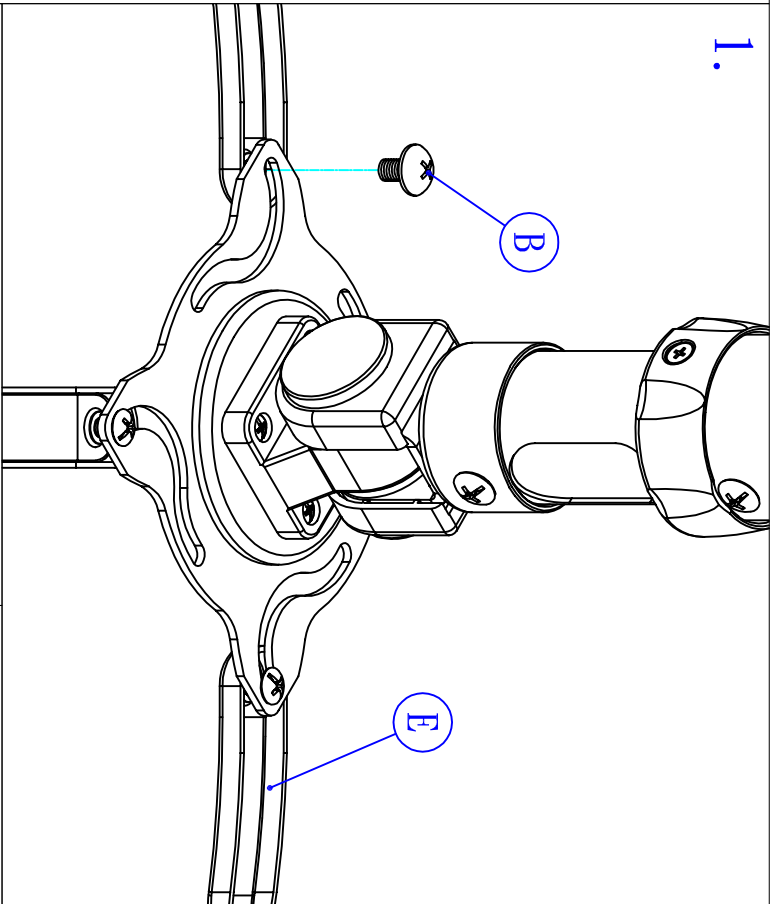


E. 4pcs

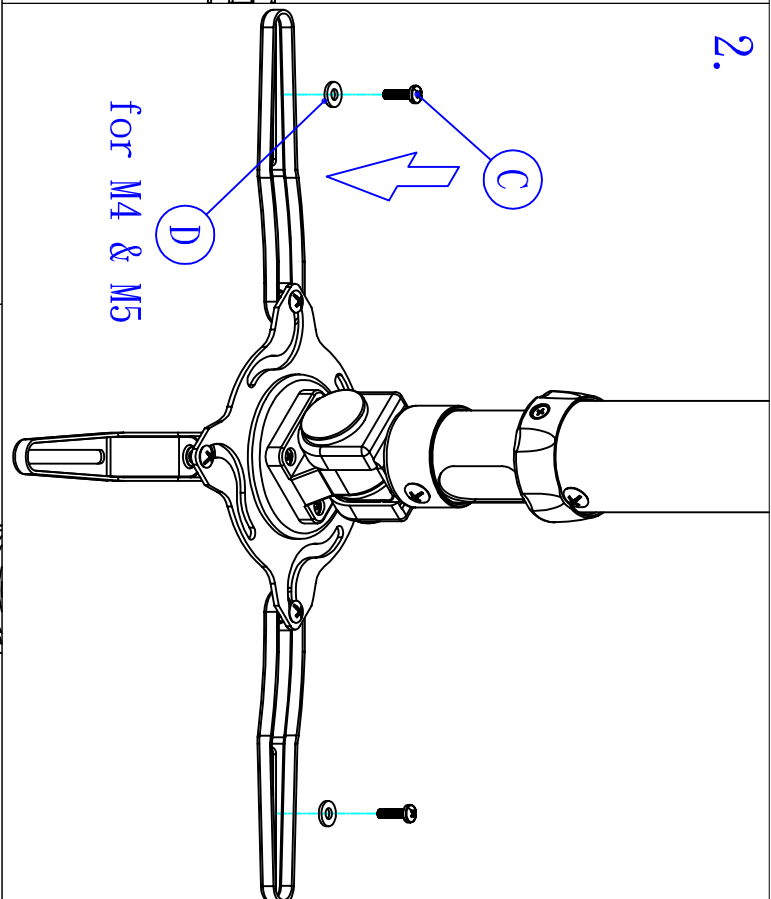
F. 1pc



1.

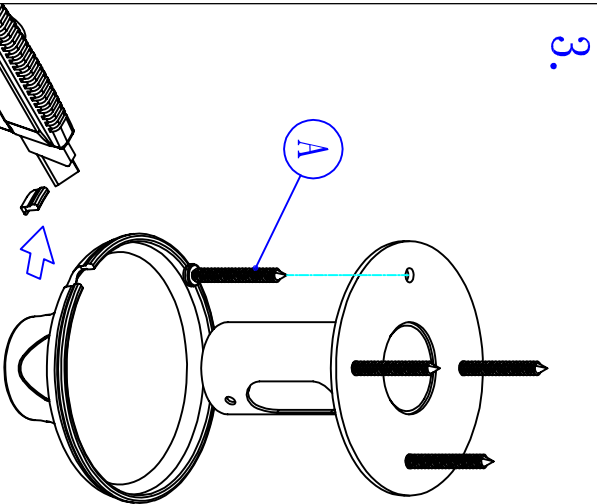


2.

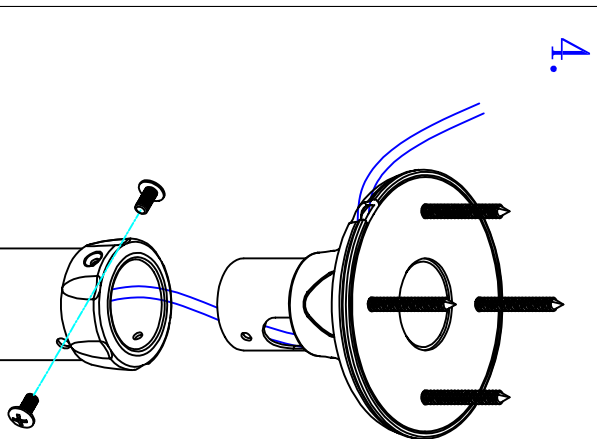


for M4 & M5

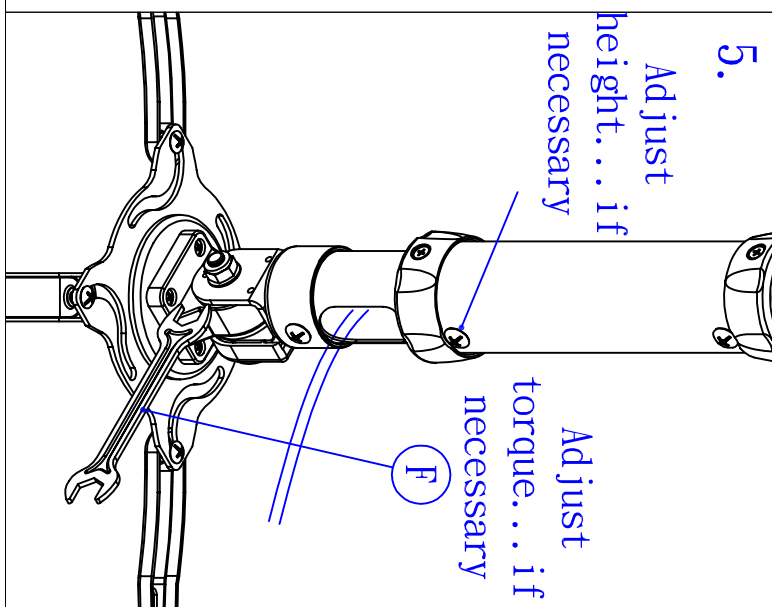
3.



4.



5.

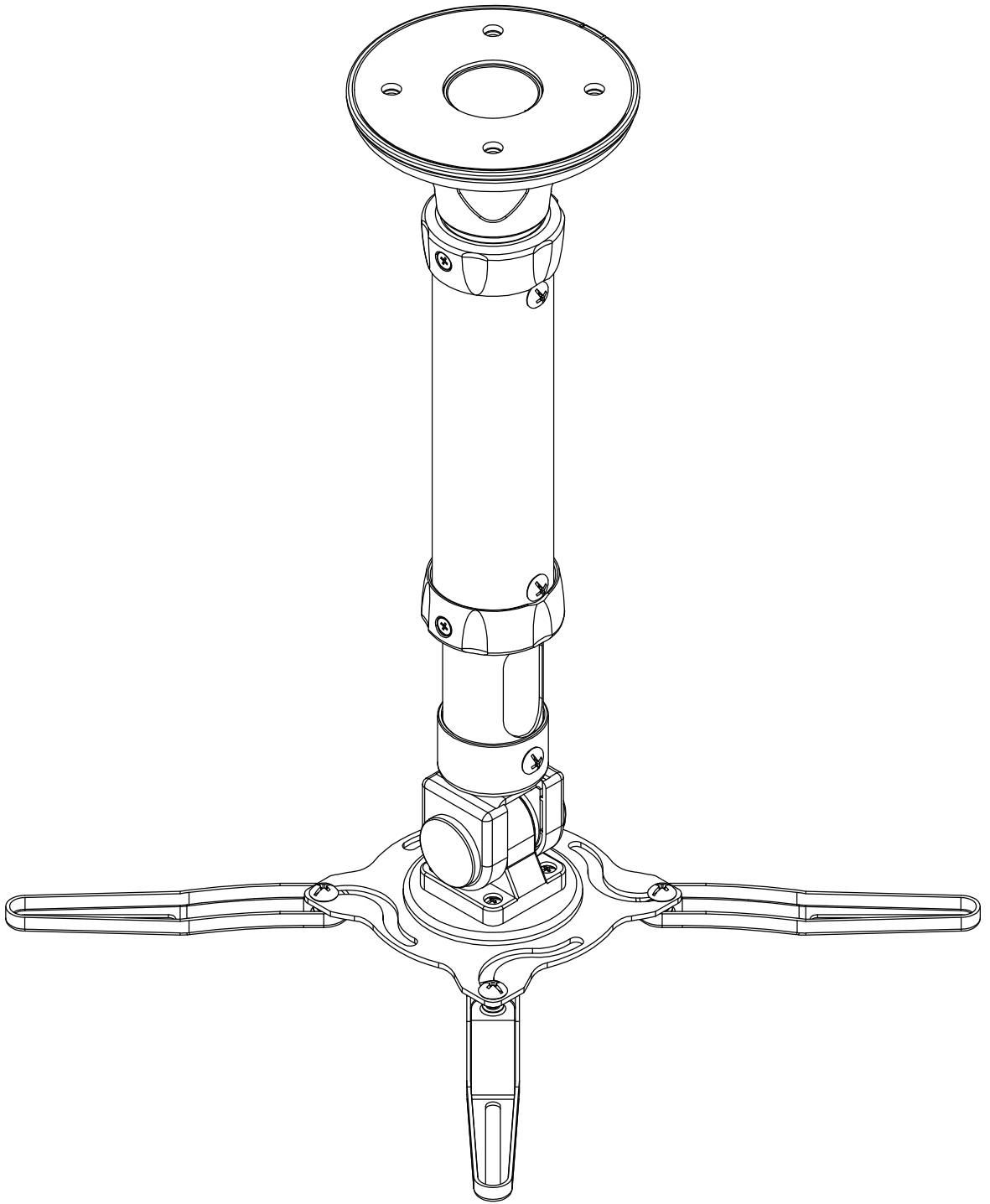


Adjust height... if necessary

Adjust torque... if necessary

Max Load: 11.5Kgs

2360S910-00 2010/1/4



Enable 3D View